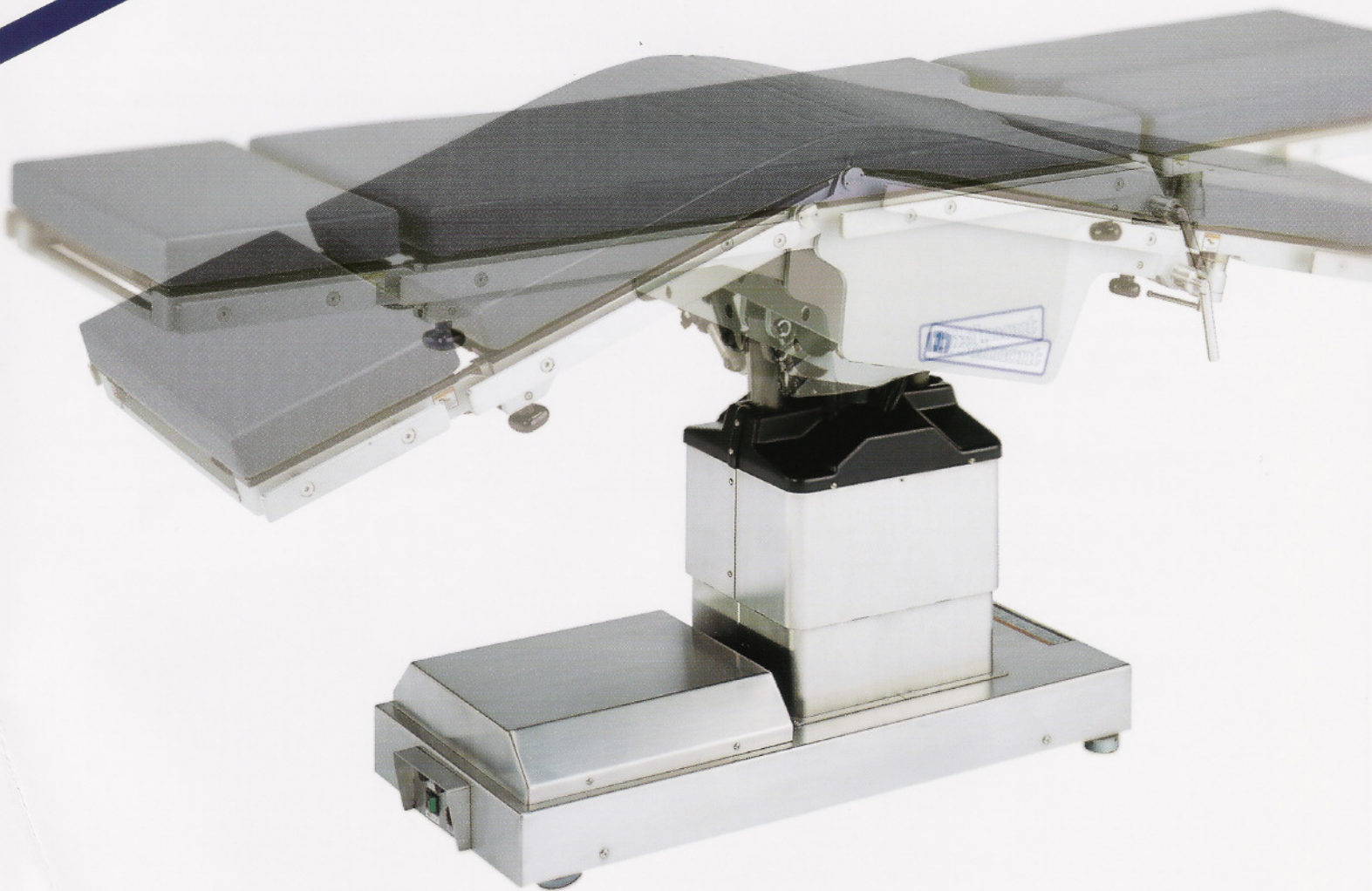


DR-2600

SURGICAL OPERATING TABLE



 Belmont[®]

DR-2600

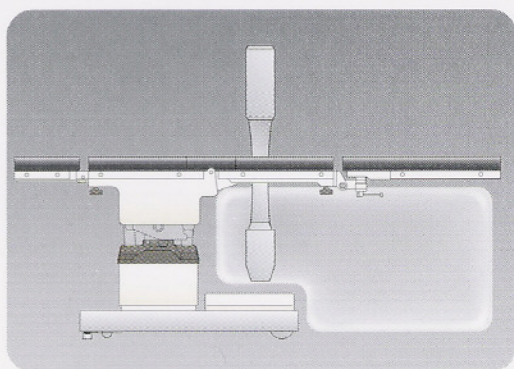
SURGICAL OPERATING TABLE

Belmont's Exclusive Electro Hydraulic Operating Table

A cost-effective standard operating table designed for all surgical procedures, including general, gynecological, urological, thoracic and microscopic surgeries.

Space

Both Type A and Type B models ensure even more legroom and fluoroscopic area.



TYPE **B**

Ensures ample legroom for surgical procedures, including general, gynecological and urological, and prevents the equipment's base from getting in the way of the surgical staff's legs.

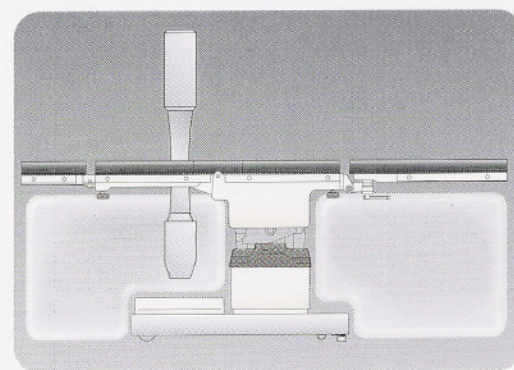


Lithotomy position
Knee crutches, Douche tray, Drain bucket (optional)



TYPE **A**

Ensures ample legroom for all types of upper extremity surgical procedures, including general, thoracic, otological, ophthalmological, dermatological, and microscopic surgeries.



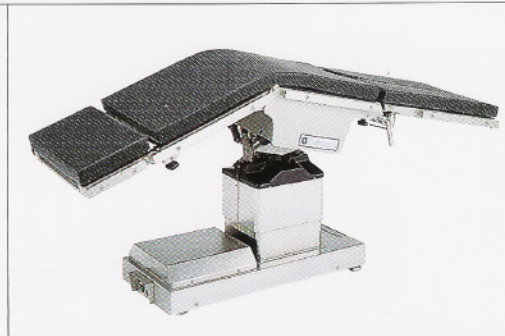
POSITION



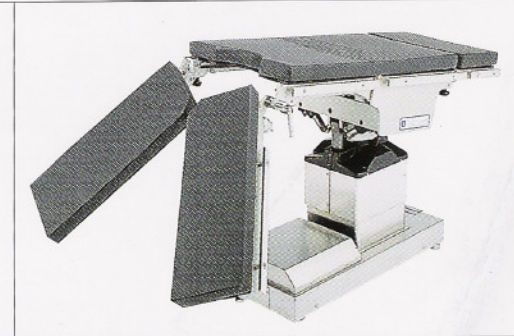
Trendelenburg position



Lateral tilt position



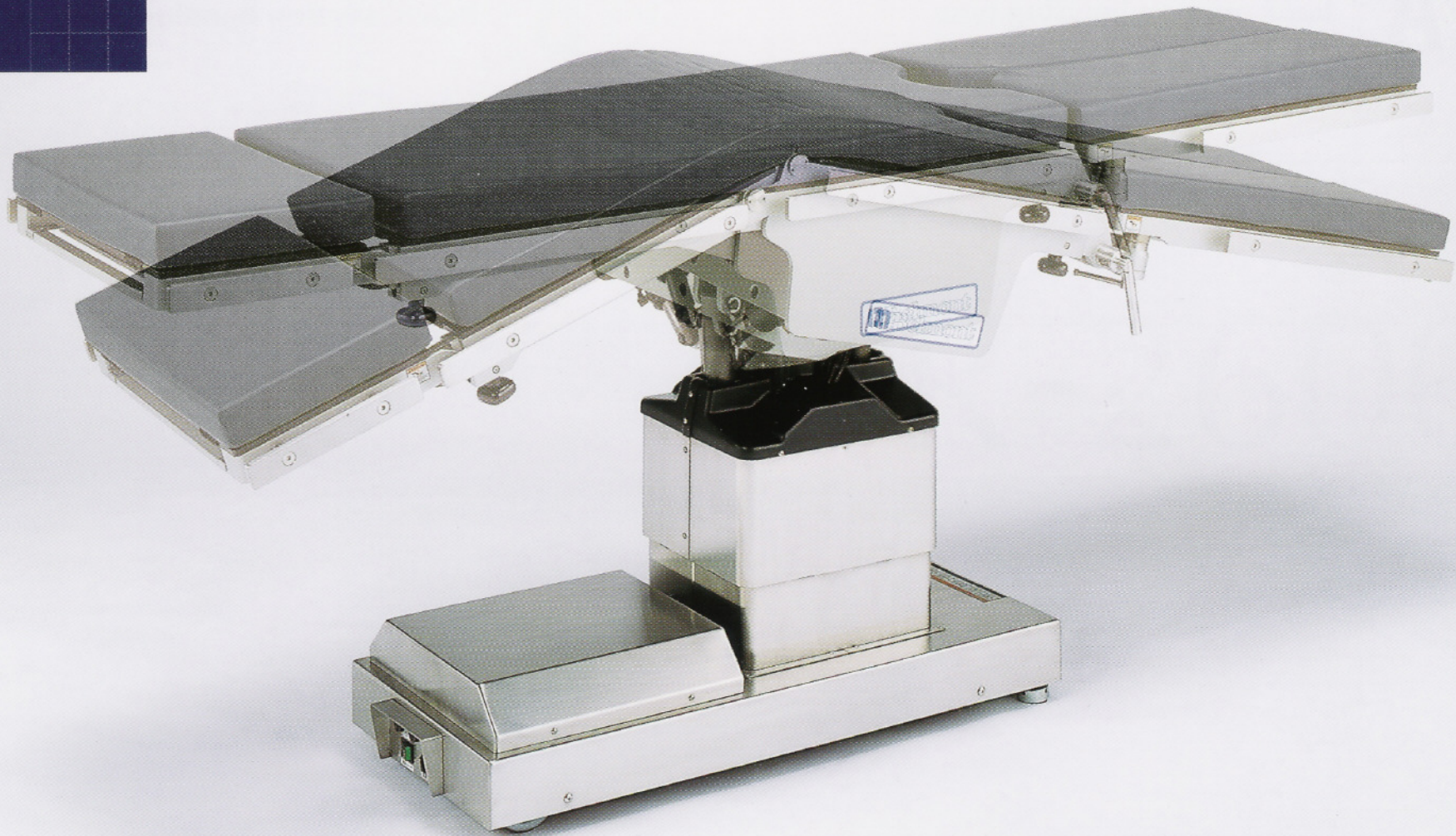
Kidney position



Bent and split leg plates position

Operability

Auto-return-to-level mechanism and level detectors allow for smooth transition between positions.



Auto-return-to-level mechanism and level detectors of back (pelvic) section angle, trendelenburg, reverse trendelenburg, and lateral tilt provide smooth transition between positions.

Table Unit Lock

Equipped with base lock mechanism controlled by electro-hydraulic mechanism, which improves safety and operability.

Safety

Safety-conscious 12VDC low-voltage remote control hand switch

The slim, lightweight hand switch with pictograph display ensures even greater operability. Houses a built-in "E" switch that prevents erroneous operation, ensuring safe use.



TYPE B hand switch

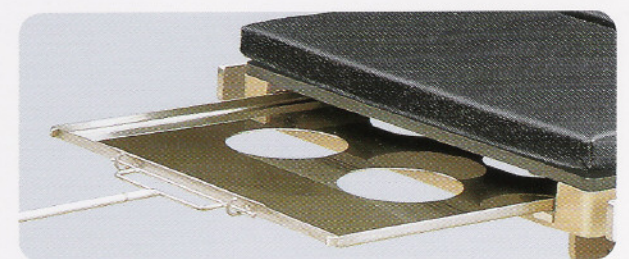
Highly-dependable Hydraulic Mechanism

Adoption of original hydraulic mechanism developed by Takara Belmont

Achieves a tabletop elevation range of 70cm to 100cm, which is appropriate for a wide array of surgical situations.

Built-in cassette tunnel

Expedites intraoperative photography up to half size.



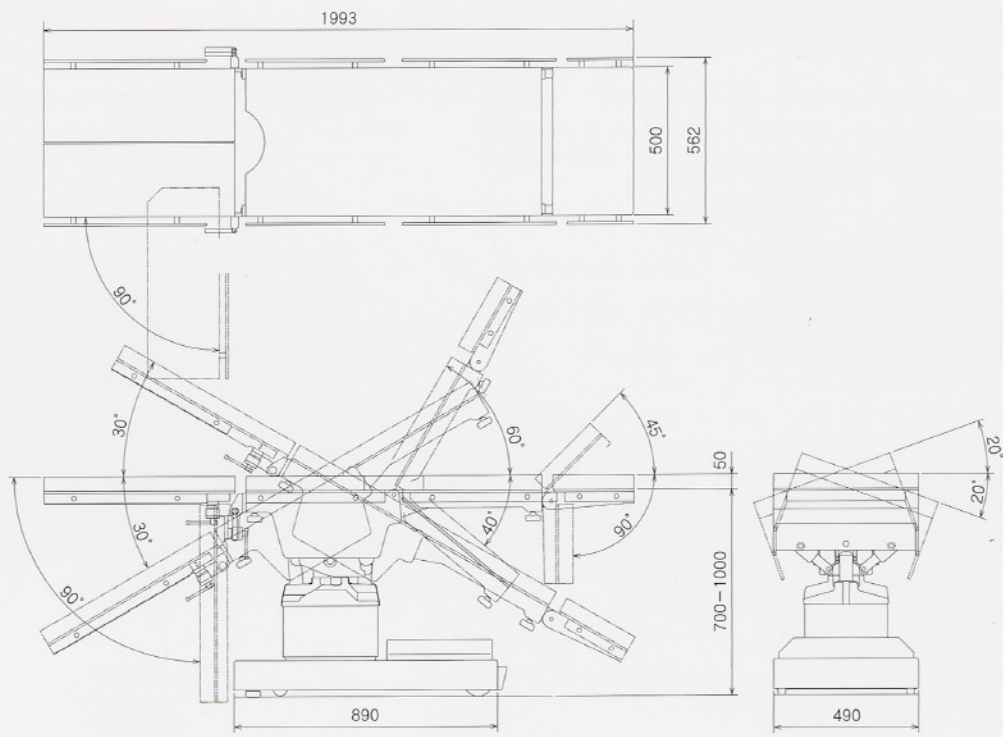
Cassette tray (sold separately)

SPECIFICATIONS

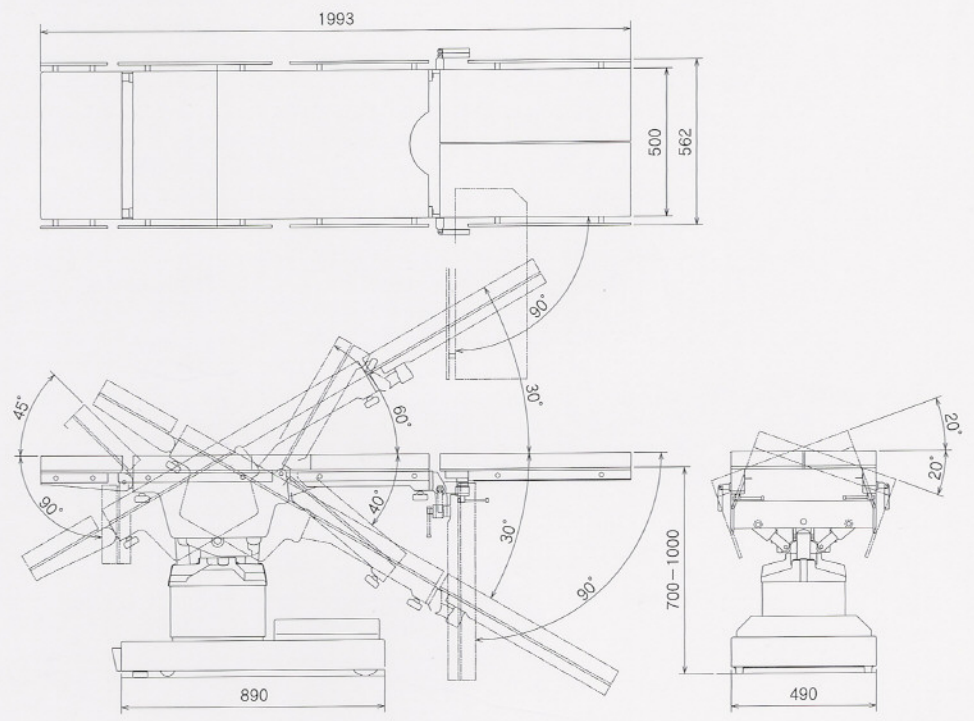
Unit elevation mechanism	Electro hydraulic system, remote control operation 700-1000mm
Trendelenburg and reverse trendelenburg tilt mechanism	Electro hydraulic system, remote control operation. Max of 30 degrees for each
Lateral tilt mechanism	Electro hydraulic system, remote control operation. Max of 20 degrees for each
Back section (pelvic section) bending mechanism	Electro hydraulic system, remote control operation. Raise: +60 degrees, Lower: -40 degrees
Unit Lock	Electro hydraulic system, remote control
Head section bending mechanism	Manual operation. Upper: +45 degrees Lower: -90 degrees
Leg section bending mechanism	Manual operation. Upper: 0 degrees, Lower: -90 degrees
Leg section splitting mechanism	Manual operation. Max of 90 degrees for right and left plates
Auto-return-to-level mechanism	Trendelenburg, reverse trendelenburg tilt and lateral tilt, and elevates the back section (seat section).
Level detectors	Trendelenburg, reverse trendelenburg tilt and lateral tilt, and elevates the back section (seat section).
Rating	AC.110/120/220/230/240V
Operation voltage	DC.12V
Product weight	200kg

Dimensions

TYPE A Back section bending type



TYPE B Pelvic section bending type



Optional operating table accessories

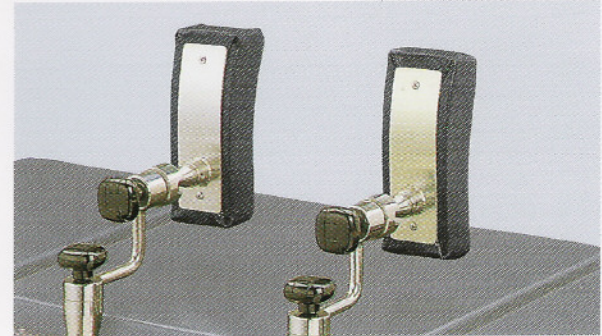
Optional Belmont operating table accessories can be easily configured to appropriately support the patient's position.



Arm Board



Anesthetic Screen Frame L-Shaped



Universal Lateral Support



Raised Arm Board



Knee Crutches

The manufacture reserves the right to alter specifications without prior notice.

健力醫療器材有限公司
CLINICON MEDICAL LTD.
 Unit 411, Lippo Sun Plaza,
 28 Canton Road,
 Tsimshatsui, Kowloon,
 Hong Kong



Tel: 2730 1883 Fax: 2736 1106

Belmont[®]

TAKARA BELMONT CORPORATION
 1-1, 2-Chome, Higashi-shinsaibashi,
 Chuo-ku, Osaka, Japan
 TEL : 81-6-6213-5945
 TELEFAX : 81-6-6212-3680